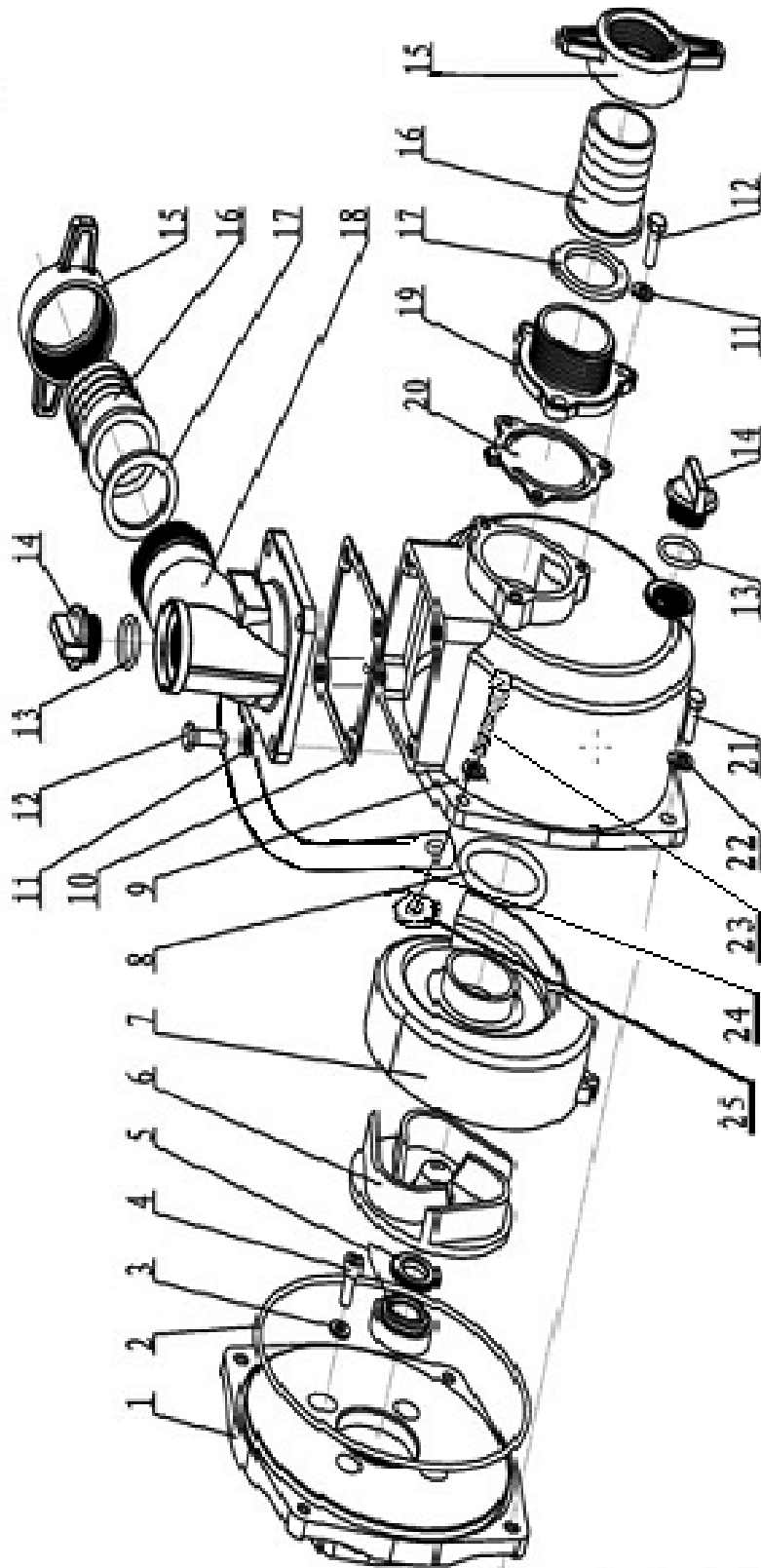


**MiniBlaze Model**



\* New impeller will not fit older models purchased prior to 2010 a complete new wet end will need to be ordered. Drawings are indicative only, product appearance may change slightly.

# PARTS LIST TABLE

## MiniBlaze Model

MODEL	PART NUMBER
	MB25L

REF NO.	Component Description	Kit / Part No.	
3	Washer Sealing	Nut & Bolt Kit 707560	4PC
4	Socket Head Cap Screw		4PC
11	Washer (6x13x1.2)		7PC
12	Bolt (M6x18)		7PC
21	Bolt (M8x20)		2PC
22	Washer (8x16x1.2)		4PC
23	Bolt (M8x40)		2PC
25	Nut, Flange (M8)		2PC
2	O'Ring Diffuser	Seal & O'Ring Kit 707558	1PC
5	Machinery Seal		1PC
8	O'Ring		1PC
10	Flange Output		1PC
13	O'Ring		2PC
20	Check Valve		1PC
10	Flange Output	Suction & Discharge Kit 707559	1PC
13	O'Ring		2PC
14	Plug		2PC
18	Flange Output		1PC
19	Flange Endure Press		1PC
20	Check Valve		1PC
6	Impeller	660200010-T850	1PC
NS	Air Cleaner Assembly	180020323-T010	1PC
NS	Carburetor	170020440-T010	1PC
NS	Fan Cover Only	160210004-T010	1PC
NS	Fuel Tank	170500514-T010	1PC
NS	Ignition Assembly	270920171-T010	1PC
NS	Oil Sensor	281850155-T010	1PC
NS	Recoil Start & Fan Cover	193490001-T010	1PC
NS	Spark Plug	270960027-T010	1PC
NS	Switch Engine Stop	271660031-T010	1PC
NS	Wet End Kit Complete	660180028-T850	1PC