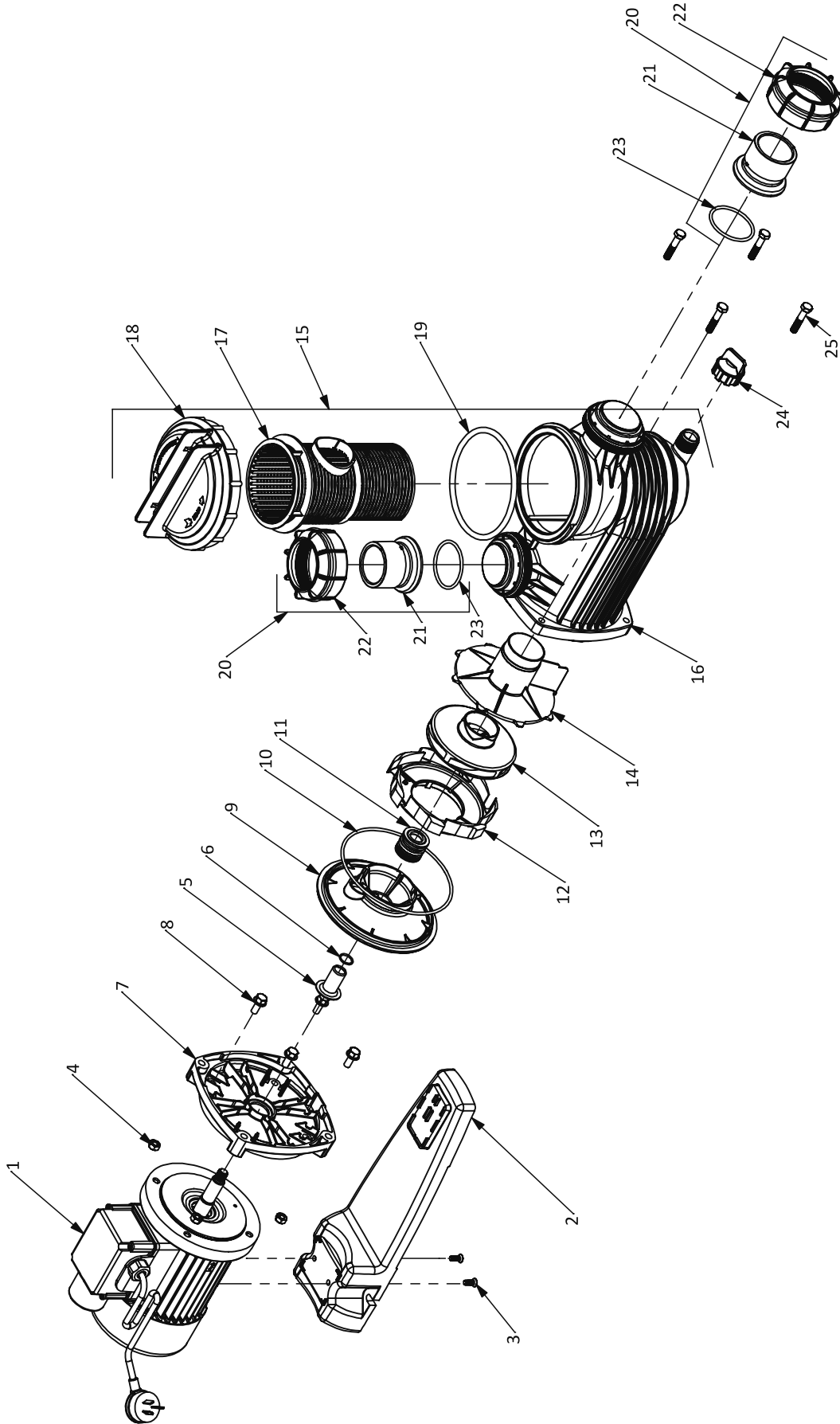


PANTERA® HIGH PERFORMANCE PUMP REPLACEMENT PARTS



PANTERA® HIGH PERFORMANCE PUMP (CONT'D)

REPLACEMENT PARTS

Item	Description	Part No.	Part No.	Part No.	Part No.
		PPP-550-1P	PPP-750-1P	PPP-1100-1P	PPP-1500-1P
1	MOTOR	(405976) 801210	(405976) 801210	(405977) 801277	(405977) 801277
2	BASE PPP/LTP POOL PUMP	SEE BASE AND SCREW KIT			
3	SCREW M6 x 16MM C/SNK HD PHLPS	SEE BASE AND SCREW KIT			
	BASE & SCREW KIT (INCLUDES ITEMS 2&3)	800532	800532	800532	800532
4	NUT 5/16inW HEX ST/ST	SEE FASTENERS KIT			
5	SHAFT SLEEVE	SEE SEAL KIT			
6	ORING SHAFT SLEEVE	SEE SEAL KIT			
7	YOKE AND LIP SEAL	412050	412050	412050	412050
8	SCREW 5/16inW x 3/4in HWF S/S	702770	702770	702770	702770
9	BAFFLE	302060K	302060K	305300	305300
10	ORING CASING	SEE SEAL KIT			
11	MECHANICAL SEAL	SEE SEAL KIT			
	SEAL KIT (INCLUDES ITEMS 5,6,10&11)	800583K	800583K	800583K	800583K
	MECHANICAL SEAL (PACK OF 25)	801303	801303	801303	801303
12	DIFFUSER	303460K	305460	303460K	303460K
13	IMPELLER	512750K	507530K	506840K	506820K
14	SEPERATOR PLATE	408610	408730	408730	408730
15	CASING ASSEMBLY (INCLUDES ITEMS 16,17,18&19)	801200	801200	801200	801200
16	CASING PANTERA POOL	SEE CASING ASSEMBLY			
17	STRAINER BASKET	302310	302310	302310	302310
18	LID	SEE CASING ASSEMBLY / LID & O-RING KIT			
19	O-RING CASING & LID	SEE CASING ASSEMBLY / LID & O-RING KIT			
	LID & O-RING KIT (INCLUDES ITEMS 18&19)	800897K	800897K	800897K	800897K
20	BARREL UNION KIT(INCLUDES ITEMS 21,22&23)	800714	800714	800714	800714
21	TAIL-PIN SWIVEL B/UNION WHITE	SEE BARREL UNION KIT			
22	NUT SWIVEL BARREL UNION	SEE BARREL UNION KIT			
23	O-RING TAIL & NUT	SEE BARREL UNION KIT			
24	PUMP PLUG 3/4" BSP FEMALE	504605	504605	504605	504605
25	SCREW 5/16inW x 1.1/2in HWF SS	SEE FASTNERES KIT			
	FASTENERS KIT (INCLUDES ITEMS 4&25 x4)	801278	801278	801278	801278